

L(P)BF

平台密闭全翻壳离心机

L(P)BF Platform sealing overall reversible shell centrifuge



L(P)BF系列离心机是在LB系列离心机基础上，根据GMP规范要求及精烘包用离心机要求进行设计的密闭离心机。

● 主要特点

1. 与物料接触部件材料均为不锈钢、耐腐蚀性好；
2. 设备主要零件表面均精密抛光处理，内部结构无死角，易清洗；
3. 外壳可全翻，翻转大于90°，转鼓可整体外露，可触摸转鼓底部，便于清洁、更换滤布等；
4. 传动部分采用全密闭式皮带罩、电机罩，设置气体置换口，避免皮带磨损带来的粉尘污染；

● 结构选择

1. 外壳的翻转可根据用户需求采用人工摇动减速机翻转或采用液压油缸驱动；
2. 不锈钢减振器；
3. 过滤介质采用进口烧结板；
4. 设置在线清洗装置；
5. 外壳顶部设置小盖。

● 型号及主要技术参数 Model and Main Parameters

项目Item	型号 Model	L(P)BF-600	L(P)BF-800	L(P)BF-1000	L(P)BF-1250
转鼓直径Drum diameter (mm)		600	800	1000	1250
转鼓高度Drum height(mm)		350	400	420	500
转鼓容积Drum capacity(L)		45	90	140	320
装料限量Maximum feeding (kg)		68	135	200	400
转鼓转速Drum speed (r/min)		1600	1200/1500	1080/1200	1000
最大分离因素Maximum separation factor		860	645/1007	652/805	698
电机功率Motor power(Kw)		3	5.5/7.5	11	18.5
外形尺寸(长x宽x高) Size(LxWxH)(mm)		1800x1200x1030	2000x1400x1085	2650x1600x1375	2900x1900x1505
机器重量Weight(Kg)		1500	2300	3200	5300

随着科技的进步，我们保留更改的权利 All right is reserved for amendment with improvement of technology

● 性能与用途

L(P)BF系列离心机是一种适用在高洁净生产、卫生型过滤式离心机，它广泛适用在制药、食品、精细化工等行业的多种固液混合物分离。它具有制造工艺高、耐腐蚀性强、工作稳定、符合高标准卫生要求等显著特点。

● Performance and Usage

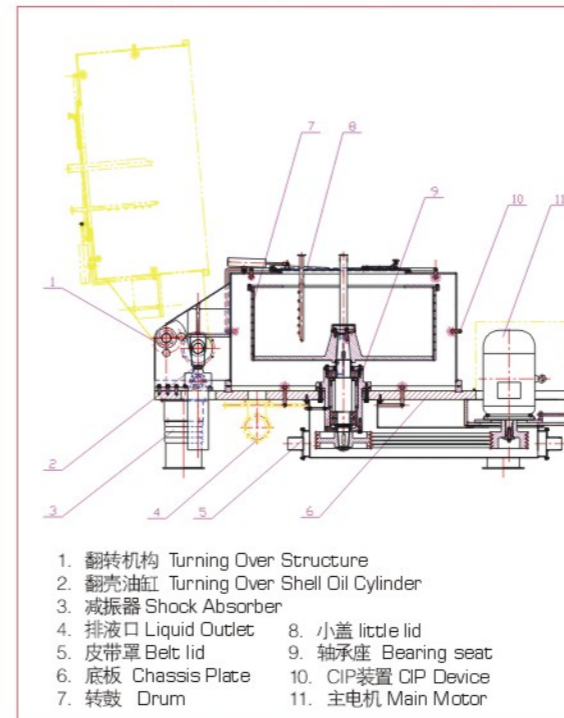
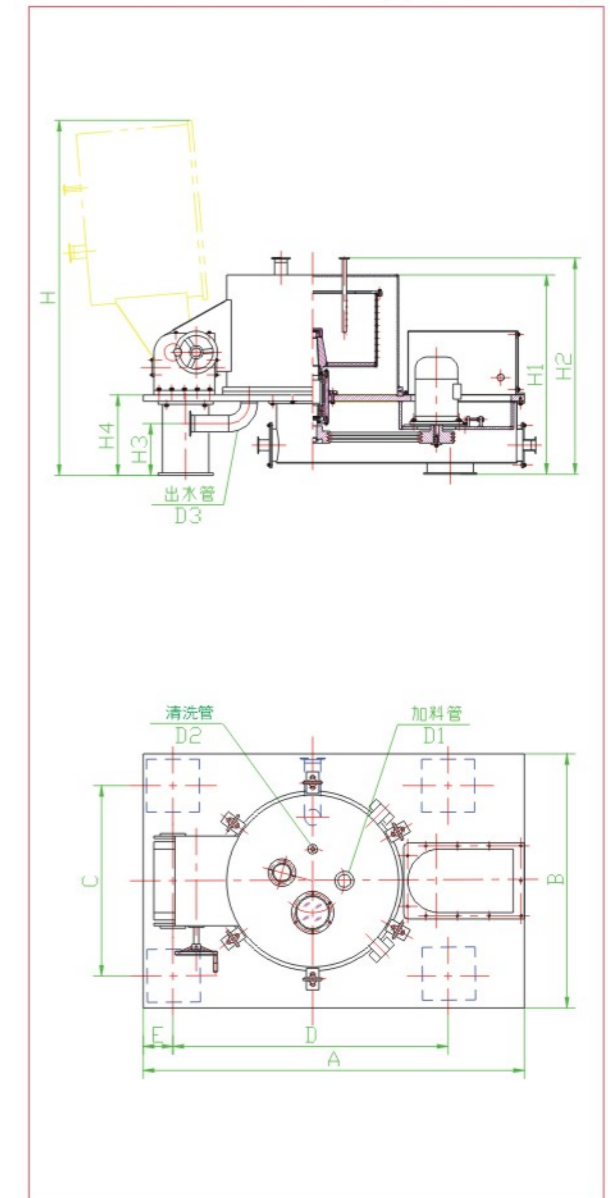
L(P)BF series is a type of centrifuges which is suitable to high cleaning production, healthy filtration, now it can be widely used in separation of solid-liquid mixtures in pharmacy, food, fine chemical field etc. in addition, it has an advantage of best technologies, strong anti-erosion, stable work, and can reach the high standard sanitation requirements.

● Main Characteristics

1. The parts contacted with material are all stainless steel, with good erosion-proof quality.
2. The surface of the main accessories of equipments are polished accurately, there is no angel in inner structure, which can clean easily.
3. The shell cover can be turned over more than 90°, the drum can be exposed wholly, the bottom of drum can be touched, which can make cleaning and exchange filter cloth conveniently.
4. Sealed belt lid, motor lid, changing nozzle of setting gas are adopted by the parts of transmission which can avoid powder pollution rising from belts rubbing.

● Structure Choice

1. Turning over shell adopts artificial shake reducer to turn over or driven by hydraulic pressure oil cylinder.
2. Shock absorber is made of ss.
3. Sinter plate imporet are adopted by filter media.
4. It is equipped with CIP device.
5. Small shell is designed on the top of shell cover.

● L(P)BF系列离心机结构示意图
Structure Diagram of L(P)BF Series Centrifuge● L(P)BF系列离心机外形及安装尺寸
The Outline and Size of Installation of L(P)BF Series Centrifuge

● 外型及安装尺寸 Appearance and Installation Size

项目Item	代号 Model	A	B	C	D	E	H	H1	H2	H3	H4	D1	D2	D3
L(P)BF600		1800	1200	900	1300	140	1680	920	1030	240	375	DN50	DN20	DN65
L(P)BF800		2000	1400	1000	1500	140	2060	1005	1085	240	380	DN50	DN20	DN80
L(P)BF1000		2650	1600	1100	1970	220	2700	1255	1375	230	450	DN50	DN20	DN100
L(P)BF1250		2900	1900	1300	2220	200	2957	1361	1505	280	540	DN65	DN20	DN125

随着科技的进步，我们保留更改的权利 All right is reserved for amendment with improvement of technology