

L(P)XG

系列立式上部吸料刮刀离心机

L(P)XG Product-Sucking Centrifuge

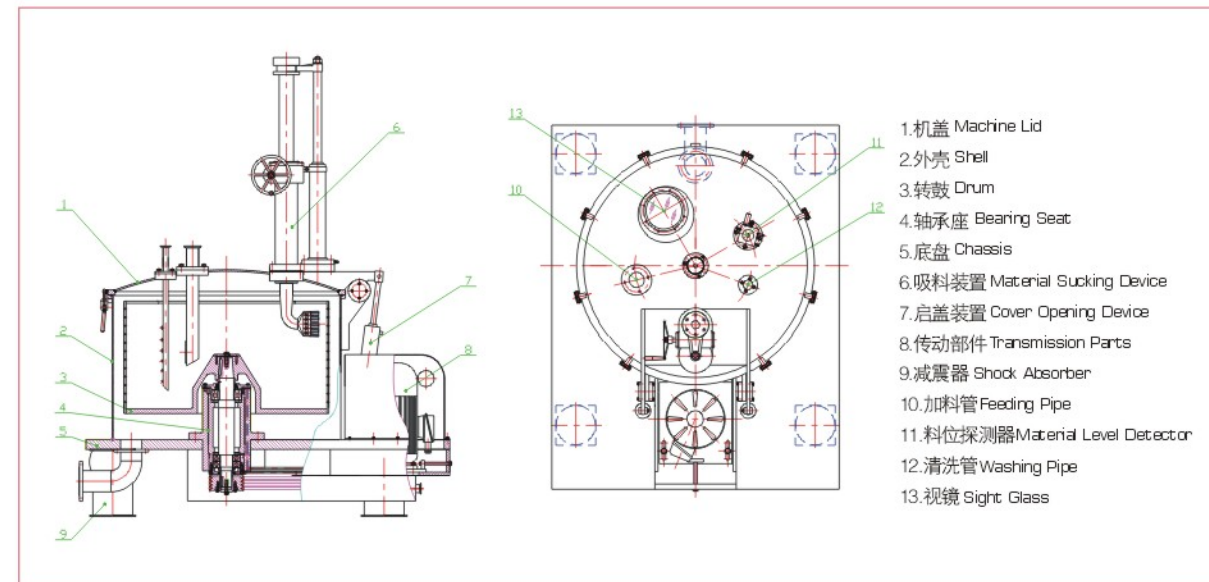
● 工作原理

L(P)XG立式上部吸料刮刀离心机是在L(P)GZ型离心机特点上进行改进设计的一种产品，机盖设置吸料装置，离心机刮刀卸料过程中外部管道通过吸料管在真空吸力的作用下将刮削下的物料吸至机外。

● 主要特点

1. 减少残余料层
2. 最佳化的功能设置，实现高效、可靠的运行
3. 可靠的轴承座密封设计
4. 降低劳动强度，改善操作环境

● 结构示意图 Structure Sketch Map



● 型号及主要技术参数 Model and Main Parameters

项目 Item	型号 Model	L(P)XG-800	L(P)XG-1000	L(P)XG-1200	L(P)XG-1250	L(P)XG-1500	L(P)XG-1600
转鼓直径 Drum diameter(mm)		800	1000	1200	1250	1500	1600
转鼓高度 Drum height(mm)		400	420	500	630	700	800
转鼓容积 Drum volume(L)		100	140	260	400	570	800
装料限量 Loading capacity(Kg)		130	180	320	520	740	1000
最高转速 Drum speed(r/min)		1500	1080	970	1000	850	850
最大分离因素 Maximum separating factor		1007	652	631	698	605	646
电机功率 Motor power (Kw)		7.5	15	18.5	18.5	30	37
机器重量 Weight(Kg)		2100	3600	4450	5500	10850	12600

随着科技的进步，我们保留更改的权利 All right is reserved for amendment with improvement of technology

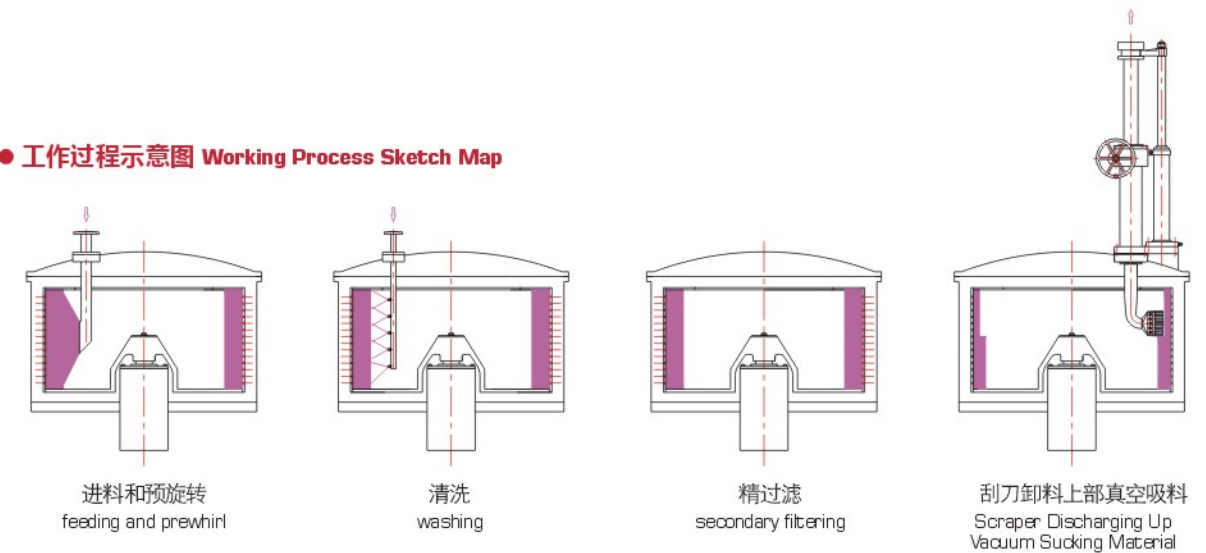
● Working principle

L(P)XG product-sucking centrifuge is a modified and improved product base on the features of L(P)GZ centrifuge. The lid is equipped with product-sucking device and during scraping and discharging, vacuum pump will suck the scraped products to the outside of the centrifuge through product sucking pipe.

● Main characteristics

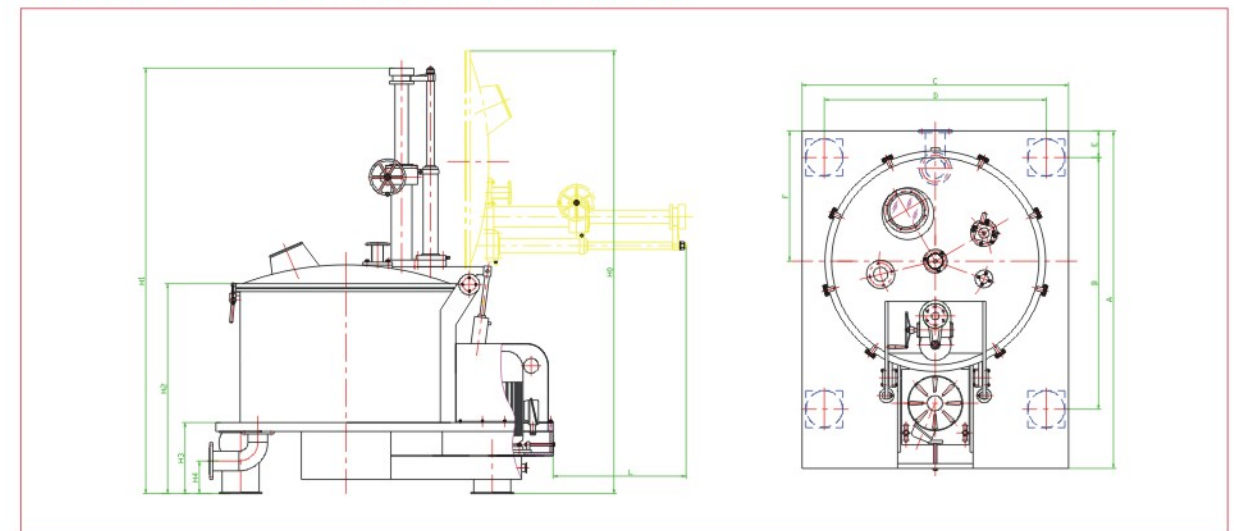
1. Reduce remnant product layer
2. Optimized function configuration to realize efficient and reliable operation
3. Reliable seal design for bearing seat.
4. Reduce working intensity and improve operating environment.

● 工作过程示意图 Working Process Sketch Map



● L(P) XG立式上部吸料刮刀离心机外形尺寸图

L(P)XG Product-Sucking Centrifuge Outline Dimensional Drawing



● 外型及安装尺寸 Model and Size

型号 Model	代号 Model	A	B	C	D	E	F	H0	H1	H2	H3	H4	L
L(P)XG-800		1700	1230	1400	1000	170	700	2280	2150	1050	320	180	750
L(P)XG-1000		1968	1500	1500	1100	180	760	2380	2250	1190	340	145	590
L(P)XG-1200		2280	1700	1800	1500	180	880	2874	2800	1150	340	140	890
L(P)XG-1250		2280	1700	1800	1500	180	880	2974	2800	1150	340	140	990
L(P)XG-1500		2600	1800	2140	1700	220	1070	3440	3130	1580	460	360	1000
L(P)XG-1600		3000	2300	2400	1900	250	1300	3870	3610	1790	420	324	1100

随着科技的进步，我们保留更改的权利 All right is reserved for amendment with improvement of technology